

GRIFFCO

1701 BARRETT LAKES BLVD.
SUITE 285
KENNESAW, GA 30144
PHONE: (770) 422-5420



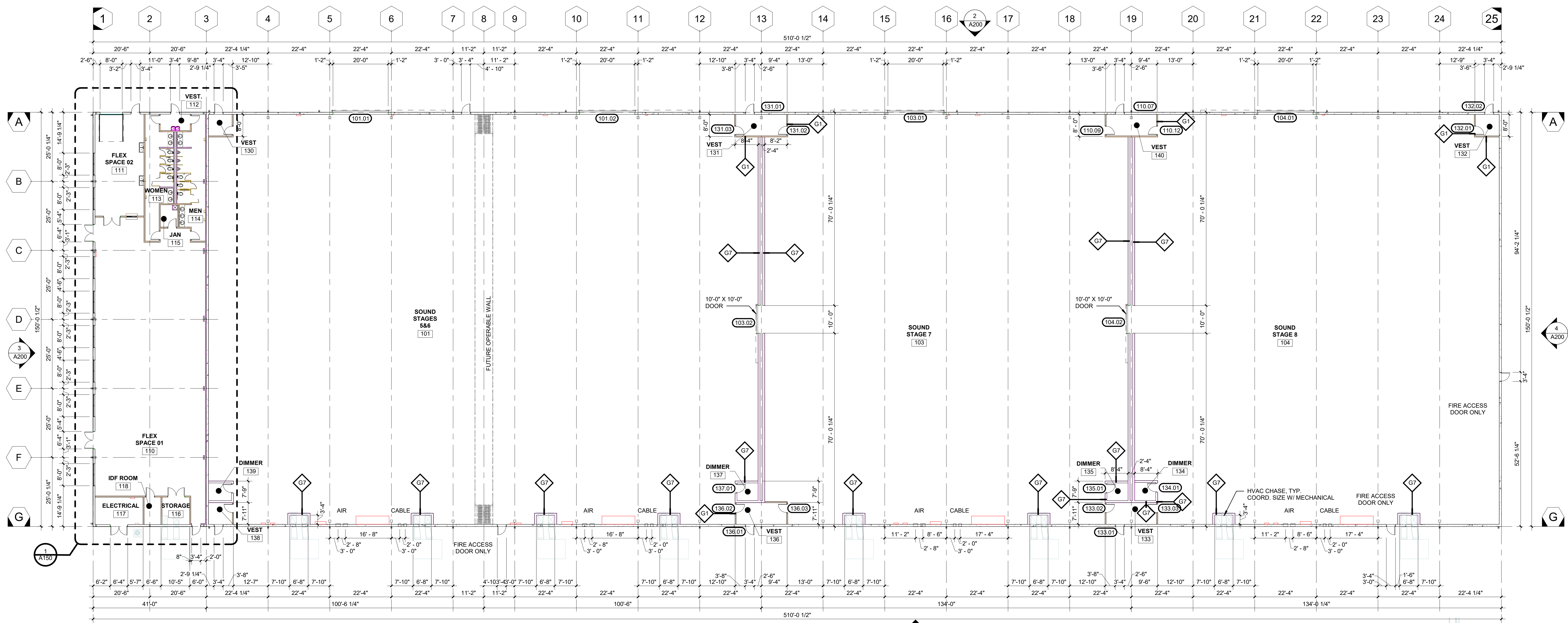
11/10/2022

Copyright of Grifco Design/Build Inc. This drawing is the property of Grifco Design/Build Inc. and is submitted in confidence. Any unauthorized use is strictly not permitted.

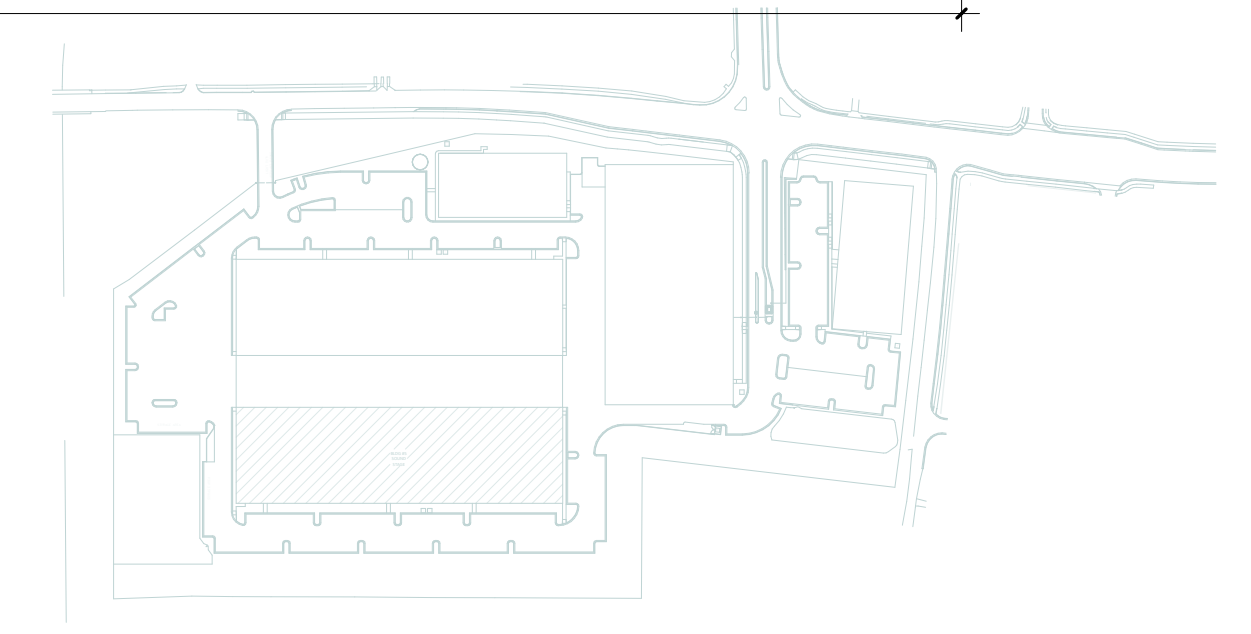
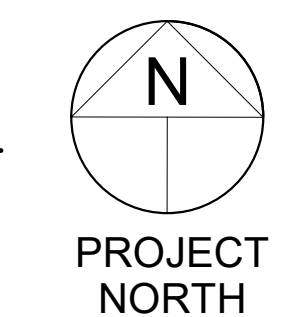


INDIAN CREEK STUDIOS STAGE BUILDING E

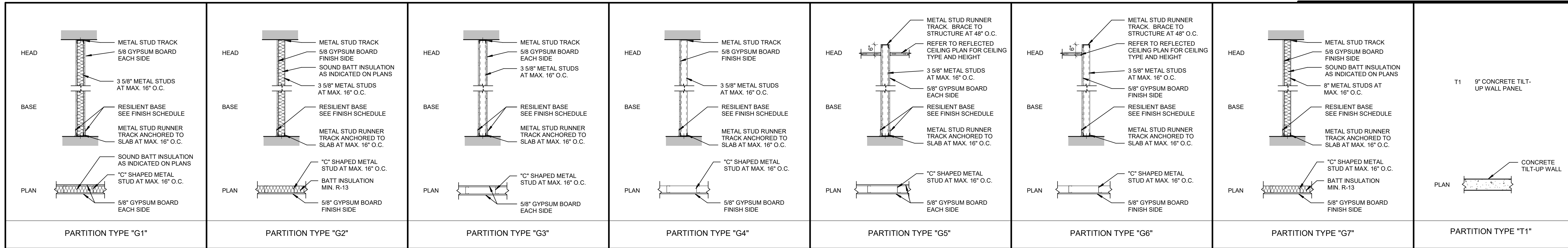
3963 REDAN ROAD,
DEKALB COUNTY, GA



1 OVERALL FLOOR PLAN
SCALE: 1/16" = 1'-0"



KEY PLAN



PERMIT	02/22/22
COMMENTS	06/23/22
COMMENTS	08/23/22
ELEC COORD	10/05/22

JOB NUMBER: 2021-277

OVERALL FLOOR PLAN

SHEET NUMBER: **A100**